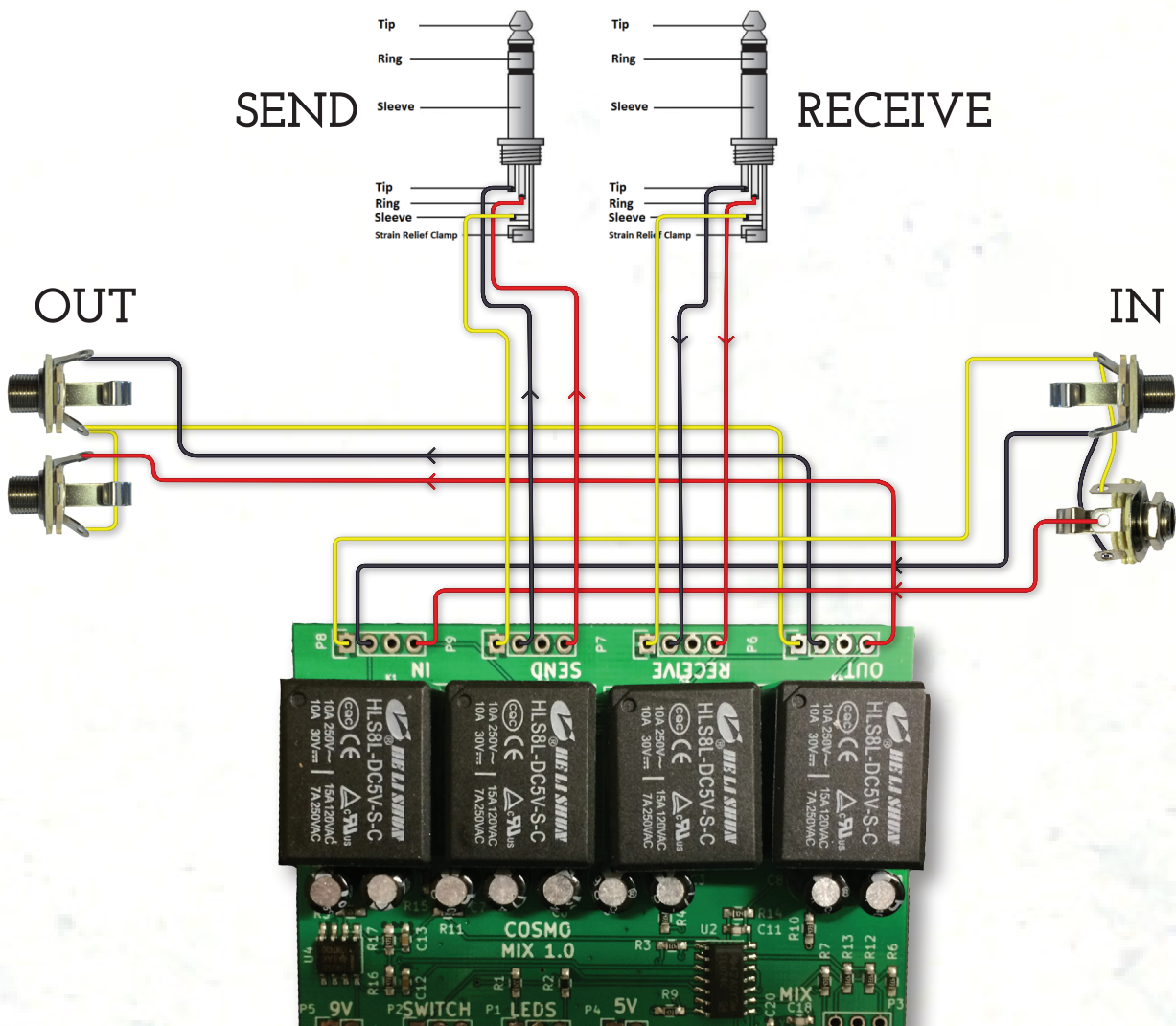


How to wire in, out, send and receive COSMO Cross Mixer (v1)



If you're using a RCA cable instead of 3,5mm Jack for the send/receive, then ground should be connected to both left and right cable, while center conductor of the left and right cable should be connected to the left and right connections on the send and receive respectively.

SEND should be connected to input on the sound card and RECEIVE should be connected to the output on the sound card

NB!! The RIGHT IN Jack should be a switched Jack where the switched connection should be wired to the tip connection on the LEFT IN Jack. The tip connection on the RIGHT IN should be connected to IN R socket on the Cross Mixer. This wiring makes sure that you get output signal in both L and R even if you only connect a mono source to the LEFT IN